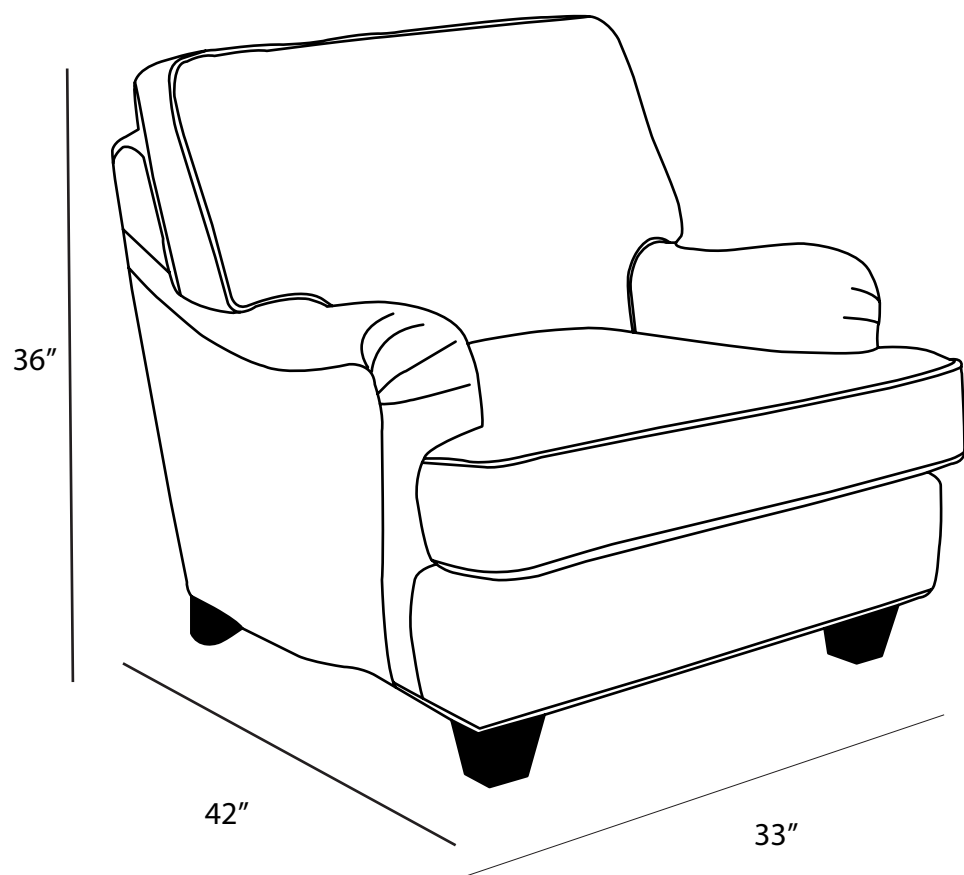




# CANTERBURY

## Chair

All our leather and fabric furniture can be customized to colour of your choice. Made by Rawhide Leather Furniture in Toronto, Canada.



### Overall Dimensions

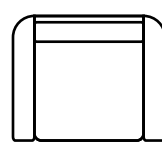
Arm Height	24"
Arm Width	5"
Seat Height	18"
Seat Depth	24"

### Measurements

	Length	Depth	Height
Chair	33"	42"	36"

**\*All measurements are approximate**

Available Styles



Chair

### Details

- Available in premium Italian top & full grain leathers or premium quality fabrics
- Handcrafted in Toronto, Canada by Rawhide
- Available in any depth and length
- Kiln-dried Canadian ethically sourced hardwood
- Eco-friendly construction
- Double-doweled frame
- Corner block joinery
- Evenly suspended steel springs
- Choose standard fills: Super soft, tahoe, medium, firm (poly fiber wrapped around a soya-based high density foam core)
- Premium fill: Feather Deluxe (down, feather envelope encased in commercial grade foam core)
- Ultra cell foam (high density foam designed for commercial and contract use)
- All furniture available with your choice of over 20 decorative nail options in varying sizes and colours. There is also the ability to omit studs from any piece
- Wood block feet available in multiple sizes and finishes. Chrome and brushed steel legs also available in multiple sizes
- Rawhide Leather and Fabric Furniture offers you a lifetime warranty on the construction and springs on your piece. To find out more about the best warranty in Canada, please visit our "Construction" page.