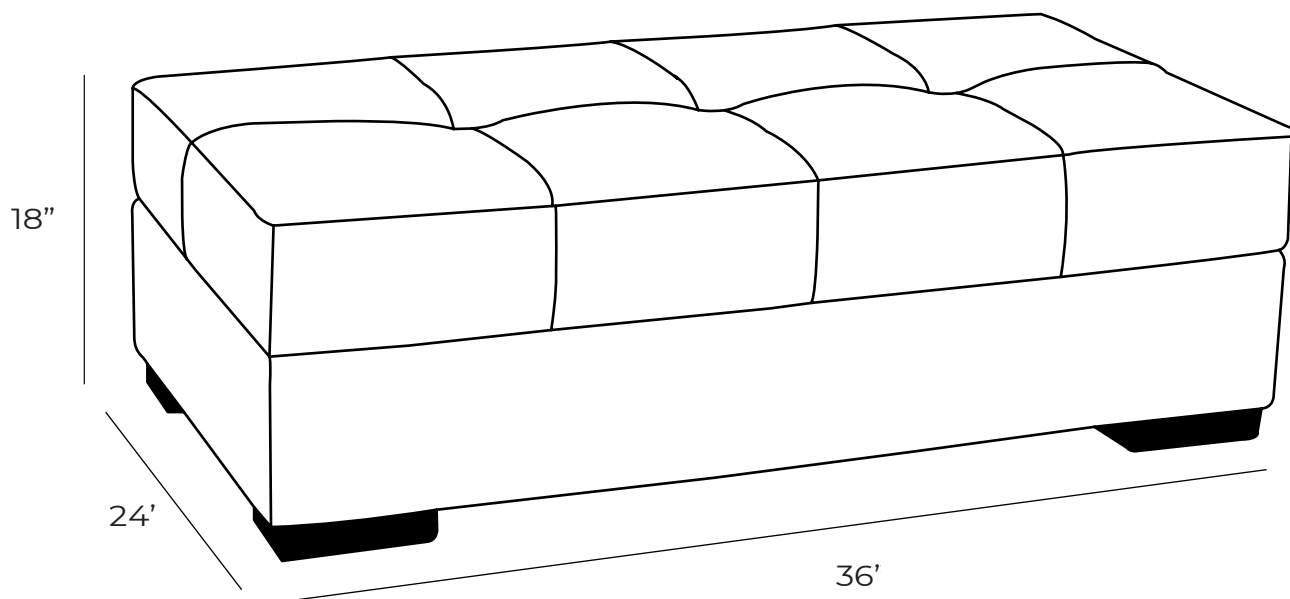




# PORTO

## Ottoman

All our leather and fabric furniture can be customized to colour of your choice. Made by Rawhide Leather Furniture in Toronto, Canada.



Measurements	Length	Depth	Height
Ottoman	36"	24"	18"

**\*All measurements are approximate**

### Available Styles



Ottoman  
or  
Footstool

### Details

- Available in premium Italian top & full grain leathers or premium quality fabrics
- Handcrafted in Toronto, Canada by Rawhide
- Available in any depth and length
- Kiln-dried Canadian ethically sourced hardwood
- Eco-friendly construction
- Double-doweled frame
- Corner block joinery
- All furniture available with your choice of over 20 decorative nail options in varying sizes and colours. There is also the ability to omit studs from any piece
- Wood block feet available in multiple sizes and finishes. Chrome and brushed steel legs also available in multiple sizes
- Rawhide Leather and Fabric Furniture offers you a lifetime warranty on the construction and springs on your piece. To find out more about the best warranty in Canada, please visit our "Construction" page.