

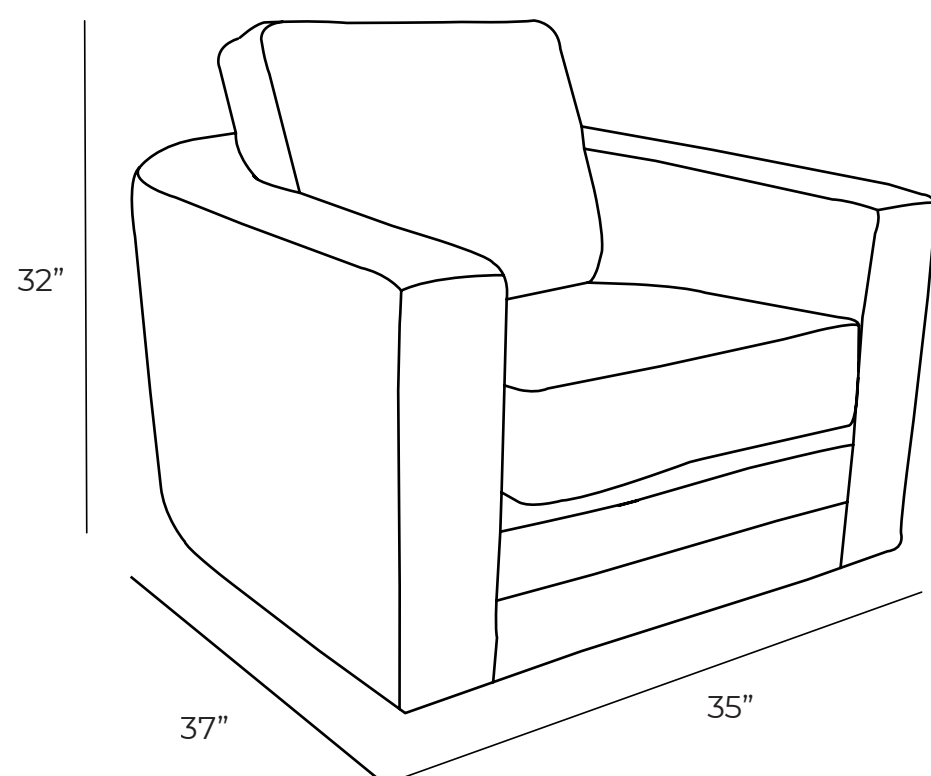


ELAINE / SWIVEL

Chair

You'll receive endless compliments on beauty and comfort with the Elaine chair. With its unique shape and whatever cushion fill you choose, it's versatility and elegant style remains.

All our leather and fabric furniture can be customized to colour of your choice. Made by Rawhide Leather Furniture in Toronto, Canada.



Overall Dimensions

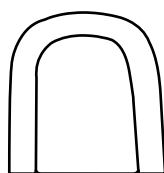
Arm Height	23.5"
Arm Width	6"
Seat Height	18.5"
Seat Depth	21"

Measurements

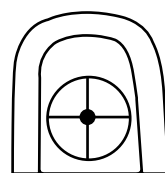
	Length	Depth	Height
Chair (Swivel)	35"	37"	32"
Chair (Oversize)	47"	37"	32"

***All measurements are approximate**

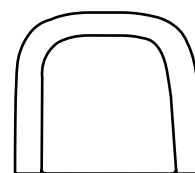
Available Styles



Chair



Swivel Chair



Oversize Chair

Details

- Available in premium Italian top & full grain leathers or premium quality fabrics
- Handcrafted in Toronto, Canada by Rawhide
- Available in any depth and length
- Kiln-dried Canadian ethically sourced hardwood
- Eco-friendly construction
- Double-doweled frame
- Corner block joinery
- Evenly suspended steel springs
- Choose standard fills: Super soft, tahoe, medium, firm (poly fiber wrapped around a soya-based high density foam core)
- Premium fill: Feather Deluxe (down, feather envelope encased in commercial grade foam core)
- Ultra cell foam (high density foam designed for commercial and contract use)
- All furniture available with your choice of over 20 decorative nail options in varying sizes and colours. There is also the ability to omit studs from any piece
- Wood block feet available in multiple sizes and finishes. Chrome and brushed steel legs also available in multiple sizes
- Rawhide Leather and Fabric Furniture offers you a lifetime warranty on the construction and springs on your piece. To find out more about the best warranty
- in Canada, please visit our "Construction" page.