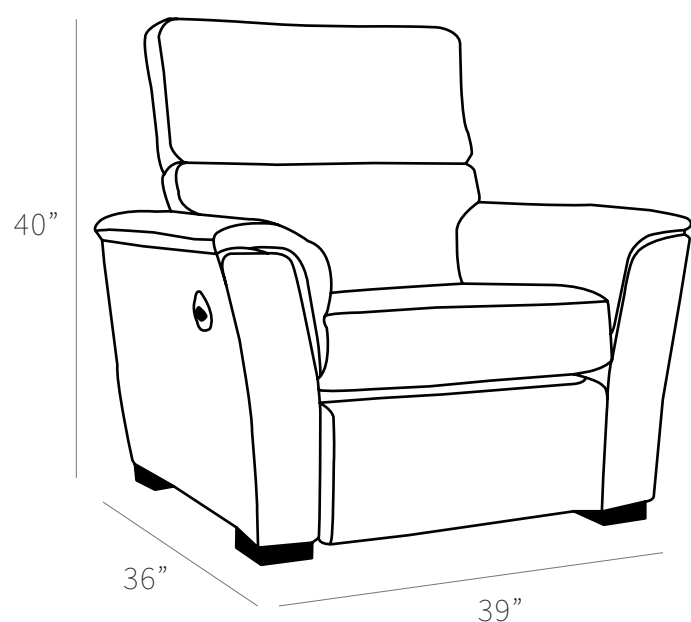




# CONNIE

## Recliner Chair

All our leather and fabric furniture can be customized to the size & colour of your choice. Also available as a condo sofa, loveseat, chair or sectional of any size. Bench made by Rawhide Leather Furniture in Toronto, Canada.



### Overall Dimensions

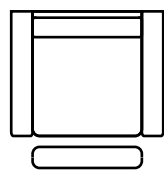
Arm Height	25"
Arm Width	9"
Seat Height	19"
Seat Depth	20"

Measurements	Length	Depth	Height
Chair	39"	36"	40"
Oversize Chair	46"	36"	40"

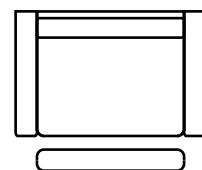
**\*All measurements are approximate**

- Recliners only available on arm side
- Power optional
- 2 recliners only available on sectionals
- NO MODIFICATIONS ON RECLINERS

### Available Styles



Chair



Chair (Oversize)

### Details

- Available in premium Italian top & full grain leathers or premium quality fabrics
- Handcrafted in Toronto, Canada by Rawhide
- Kiln-dried Canadian ethically sourced hardwood
- Eco-friendly construction
- Double-doweled frame
- Corner block joinery
- Commercial Grade wall away steel reclining mechanism made in North America, available in both manual and power. Power headrests available. Standard and oversize seats available
- Wall away recliners only require 3" of clearance from the wall.
- Standard depth. Available in 23 or 30 inch seat widths
- Ultra cell firm seats standard (high density foam designed for commercial and contract use) other options available
- All furniture available with your choice of over 20 decorative nail options in varying sizes and colours. There is also the ability to omit studs from any piece
- Wood block feet available in multiple sizes and finishes. Chrome and brushed steel legs also available in multiple sizes
- Rawhide Leather and Fabric Furniture offers you a lifetime warranty on the construction and springs on your piece. To find out more about the best warranty in Canada, please visit our "Construction" page.